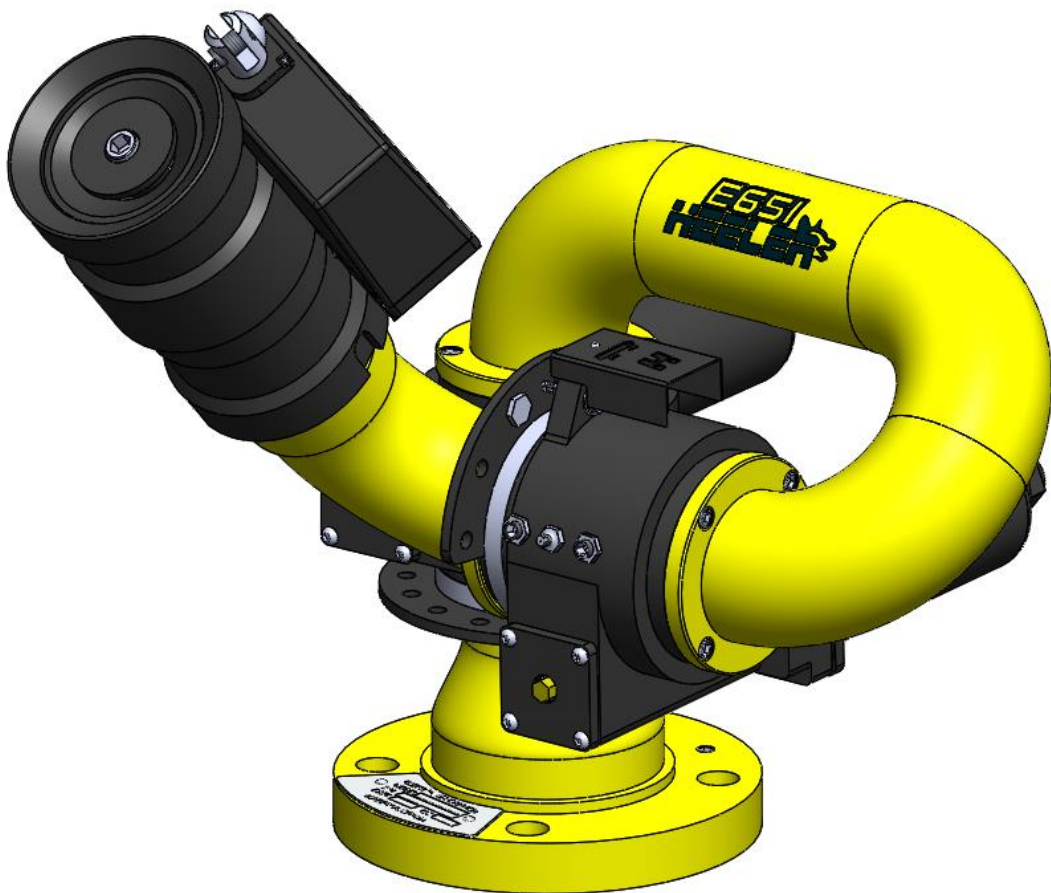
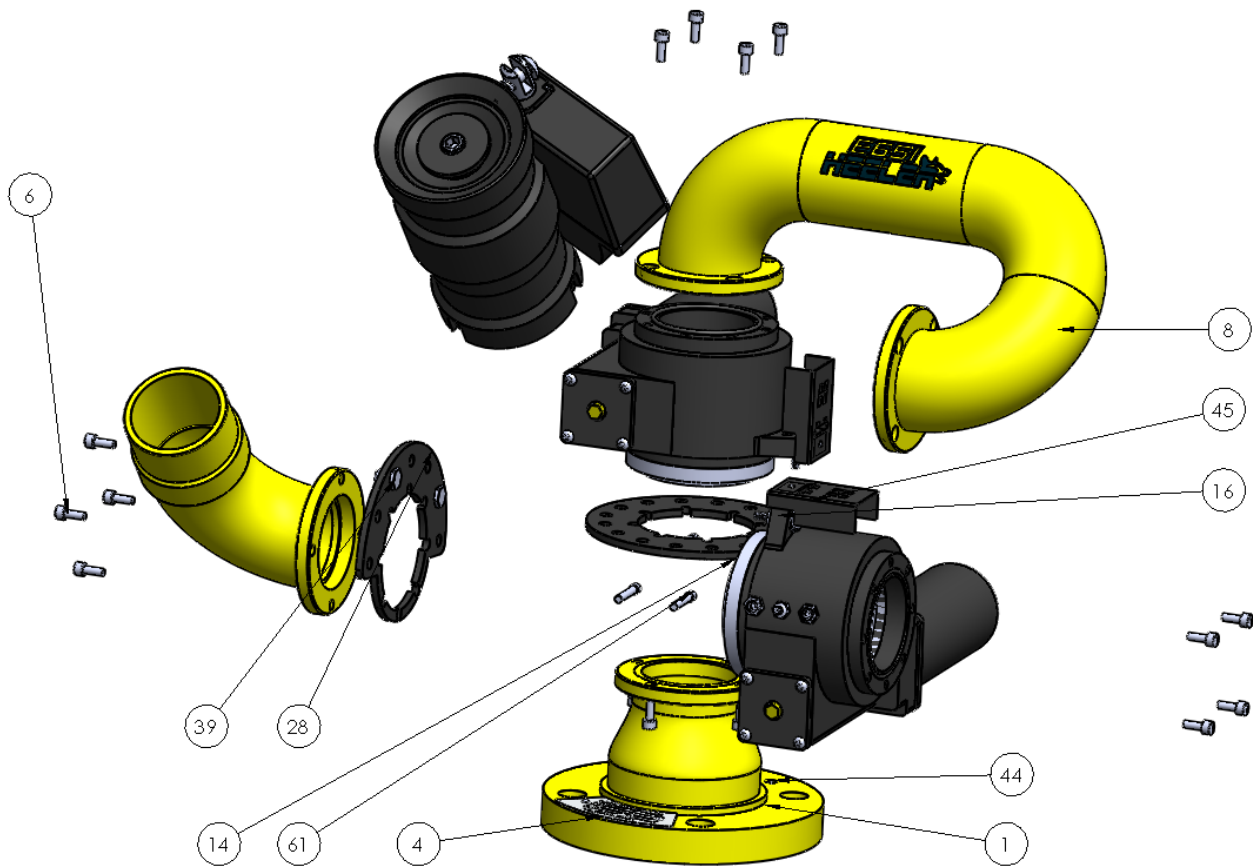
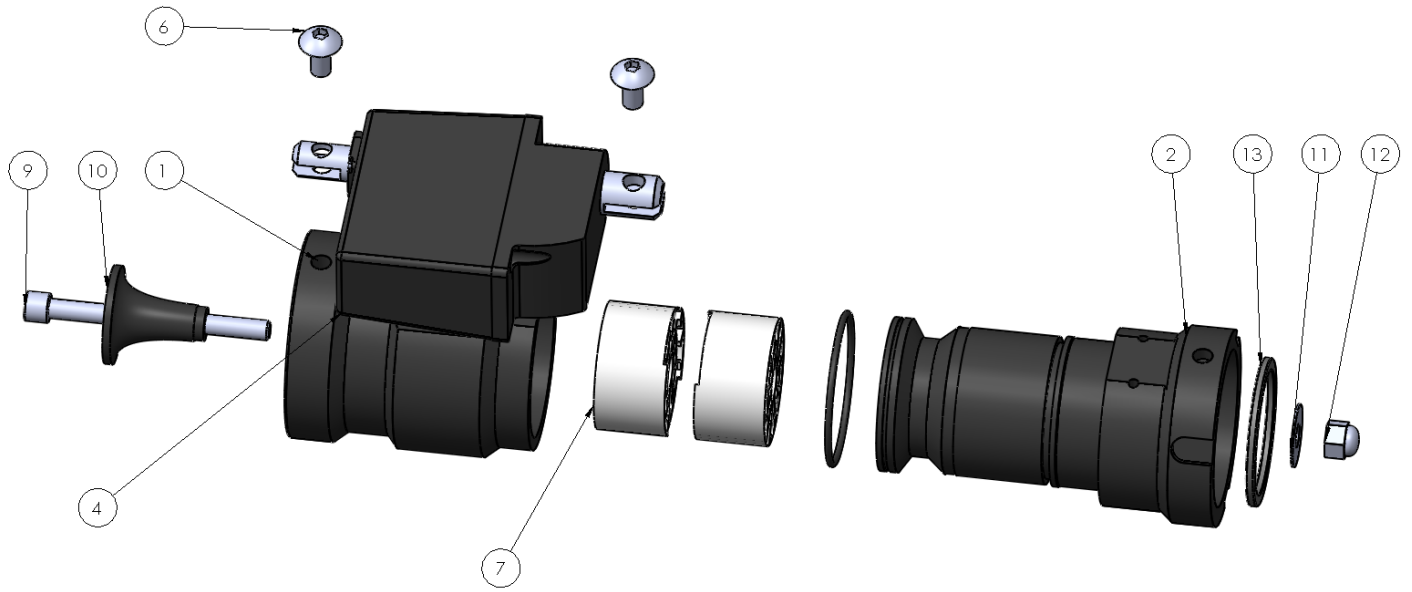


**EGSI
HEELER**

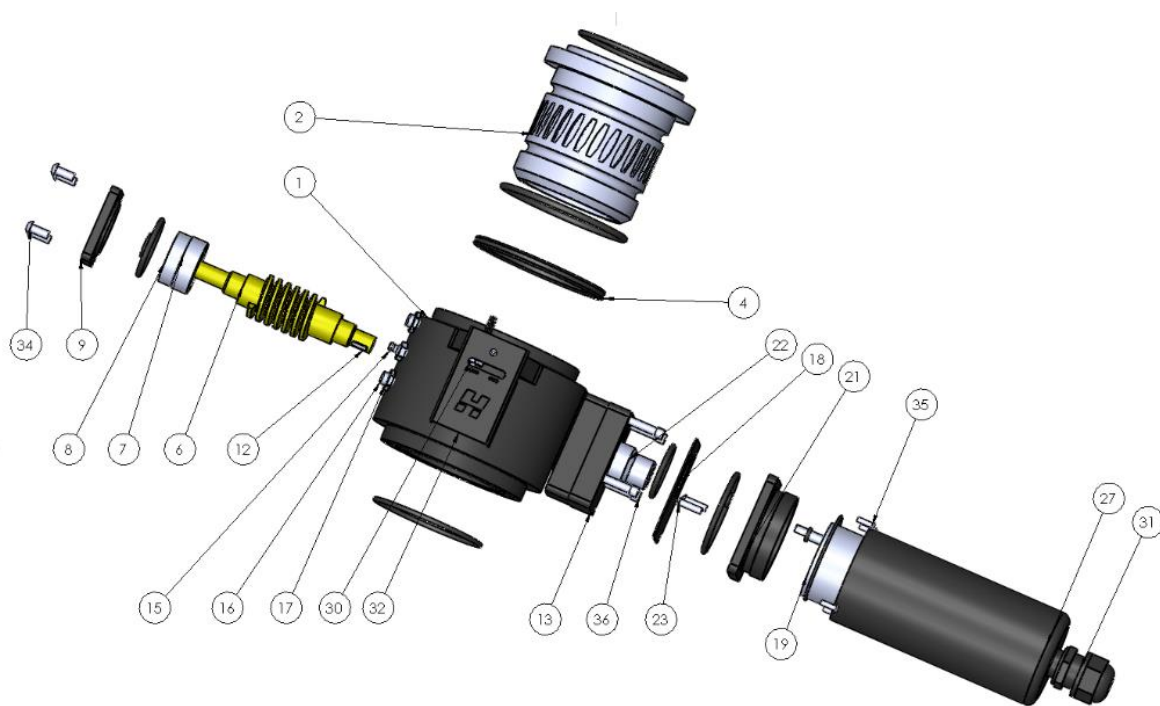




ITEM NO.	PART NUMBER	DESCRIPTION	QTY.
1	6111	Base Flange	1
4	6049	SN Plate	1
6	6205	Cap Screw - M6 x 1.25 x 12	16
8	-	Waterway	4
14	6406	Left/Right Position Ring	1
16	WTEC-FPRC-025-000PS-2	Position sensor	2
28	6407	Up/Down Position Ring	1
39	-	Position screw – M8 x 16 HEX M8 x Nylon nuts	4
45	6401	Sensor guard	2
61	6612	Mounting Block Screw M6 x 35	4



ITEM NO.	PART NUMBER	DESCRIPTION	QTY.
1	N65P-OU	Nozzle outer E651	1
2	N65P-IN	Nozzle inner E651	1
3		Nozzle inner O-ring	1
4	WTC-N65PE-ACT	Controlled Nozzle – Actuator	1
6		Nozzle motor screws	2
7	N65-REC	Rectifiers (Nozzle plastic inserts)	2
8	6018	Grease Nipple M8 x 1mm	1
9	-	Nozzle centre screw M10 x 110	1
10	N65-6611- 250,350 or450	Baffle	1
11	-	Nozzle washer	1
12	-	Nozzle centre screw M10 Dome nut	1
13	-	Nozzle Gasket	1



ITEM NO.	PART NUMBER	DESCRIPTION	QTY.	ITEM NO.	PART NUMBER	DESCRIPTION	QTY.
1	6003	External Swivel	1	22	E651-WTEC-FP12301	Drive Shaft Adapter	1
2	6001	Internal Swivel	1	23	6602	Motor mount screw 10-34 x ½ button head	2
3	6015	O-ring environmental seal	1	24	-	Shaft adapter grub screw	1
4	6014	X- Ring	1	25	-	Motor housing base O-ring	1
5	6038	Flange Seal O-ring	2	26	-	Motor housing base outer O-ring	1
6	E651-FP10341	Worm drive	1	27	WTEC-FP10155	Motor housing	1
7	WTEC-FP10313-2	Bearing - worm drive	2	30	WTEC-FPRC-025-000PS-2	Position sensor	2
8	6613	Spacer – Aluminium worm drive	2	31	-	M20 Cable gland	1
9	6403	End cap	1	32	E651-6405	Sensor guard	1
10	6611	End cap/mounting block O-ring – 34 x 2	1	33	6208	Sensor guard screw M4 x 6 button head	1
11	6607	End cap centre O-ring	1	34	-	Head Button M5	7
12	WTEC-FP10314A	Key – Drive Adapter	1	35	6602	Motor mount screw 10-34-1/2	7
13	E651-FP10993	Adapter Block	1	36	6612	Motor housing mounting block screw	4
14	6611	Motor mounting block O-ring	1	36	6612	Motor housing mounting block screw	4
15	GRNIP-M8	Grease Nipple	1	18	WTEC-FP12304	Seal plate	1
16	6203	Grub Screw M8 x 1.0 x 10	2	19	WTEC-GM92365024R1 – 12VDC	Motor	1
17	6204	Lock Nut M8 x 1.0 x 10	2				