



Water Wise Water Trucks Australia Pty Ltd

ABN:67 102 925 119

Address: 15 Mephan Street, Footscray, Victoria 3011

Phone: 1300 306 917 Fax: 1300 885 299

Email info@wwwatertrucks.com

P652 Pneumatic Water Cannon



“Tomorrow’s Water Truck Solutions Today”



Water Wise Water Trucks Australia Pty Ltd

ABN:67 102 925 119

Address: 15 Mephan Street, Footscray, Victoria 3011

Phone: 1300 306 917 Fax: 1300 885 299

Email info@wwwwatertrucks.com

Description

Designed for easy installation and operation the P652 pneumatic water cannon offers a significantly better alternative to what is currently available and accepted in the industry. It features a proven rugged low profile design and mounts to a 80mm ANSI 150lb flange. A

robust cab mounted joystick (mounted in a box) has a 6mm or ¼" airline input and is connected to the water cannon via a 10 metre (approximately 30 foot) airline loom to high quality pneumatic cylinders providing 90 degrees of smooth precise up/down and left/right motion.

The cannon has unique heavy duty (patented) anodised aluminium dual race swivels. The swivels are removable for easy service and utilize an advanced sealing system..

Designed and manufactured in Australia the P652 sets a new benchmark in quality and value backed by our 12 month warranty, it is also supported with local parts stocks and expert advice.

Features Include:

- Easy Installation
- Pressure Tested to 4000 kPa
- 80mm (3") ANSI Flange
- Low profile design
- 90 degrees of horizontal and vertical motion
- Anodised Aluminium Swivels - dual race replaceable (bolt on)
- Long life swivel seals
- 65mm (2 ½") water way.
- Schedule 40 steel water way.
- Robust Pneumatic Joystick.
- ISO Pneumatic Cylinders
- Adjustable speed control - Vertical & Horizontal
- Stainless Steel Fasteners
- Colour coded airline loom

P652 Kit includes:

- P652 Pneumatic Water Cannon
- N65S25 Straight Nozzle
- Pneumatic Joystick with fittings
- 80mm Spring Return Butterfly Valve with fittings
- 10 metre (30 foot) airline loom - 5 Core
- Installation Manual

“Tomorrow’s Water Truck Solutions Today”



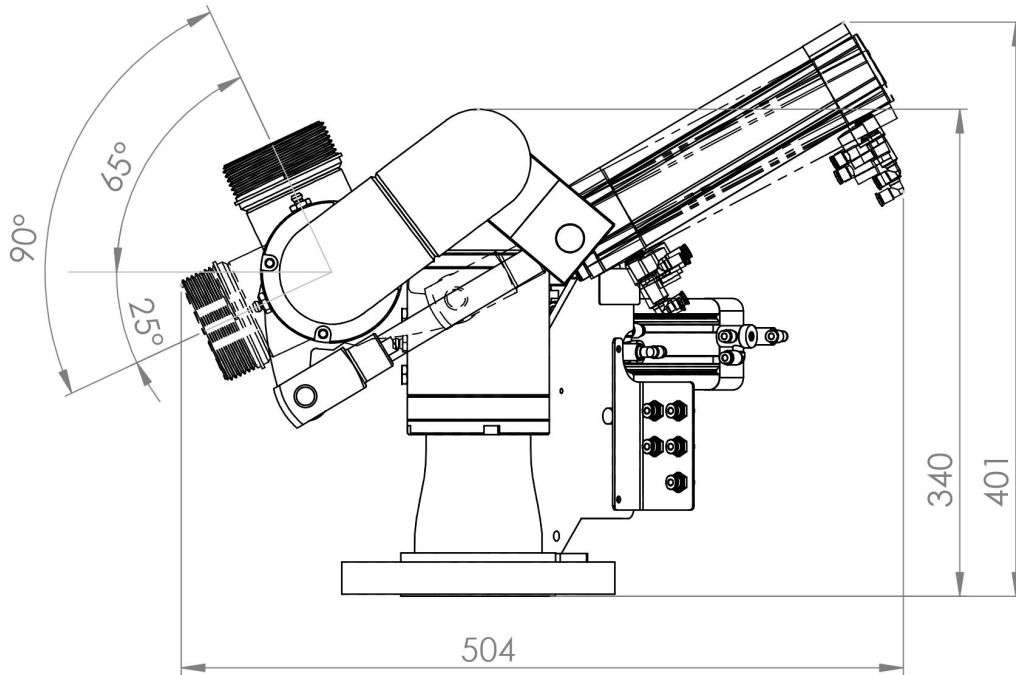
Water Wise Water Trucks Australia Pty Ltd

ABN:67 102 925 119

Address: 15 Mephan Street, Footscray, Victoria 3011

Phone: 1300 306 917 Fax: 1300 885 299

Email info@wwwatertrucks.com



“Tomorrow’s Water Truck Solutions Today”



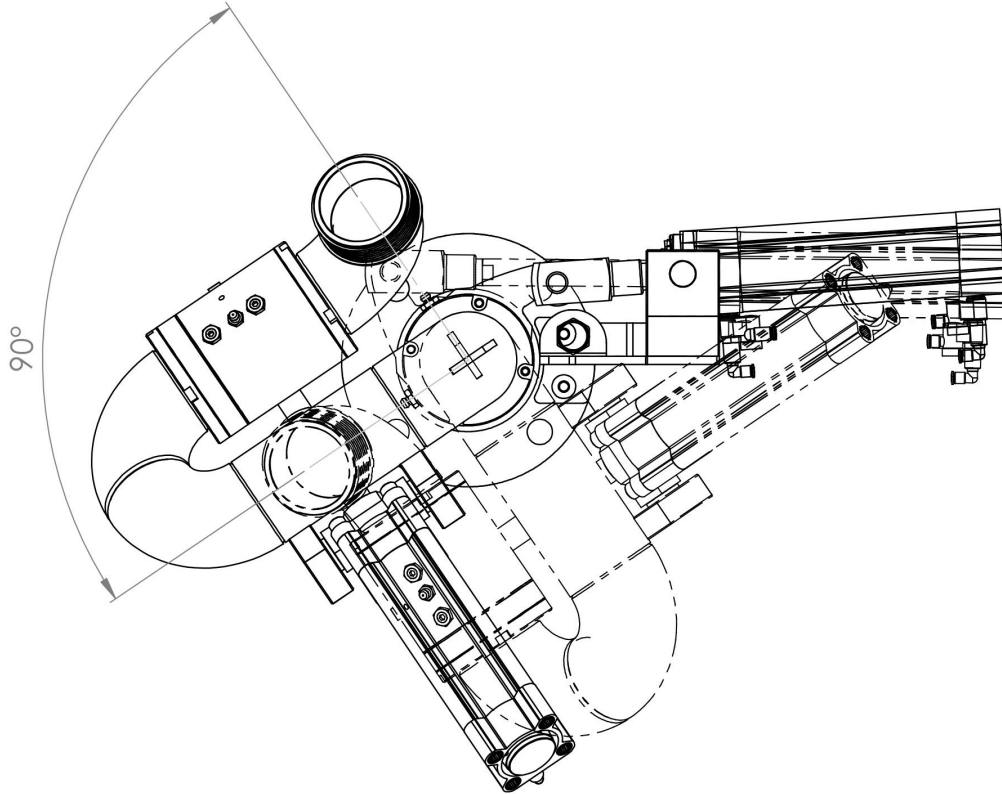
Water Wise Water Trucks Australia Pty Ltd

ABN:67 102 925 119

Address: 15 Mephan Street, Footscray, Victoria 3011

Phone: 1300 306 917 Fax: 1300 885 299

Email info@wwwwatertrucks.com



ISO 4" x 3" water pump 230 mm Impeller - hydraulic drive
Fitted with straight nozzle with a 25mm orifice
Approximate ambient temp. 17 deg C

Approximate Measurements

Engine RPM	Distance Measured (m)
600	13.5
1000	28
1500	32.5
2000	36
2600	46

"Tomorrow's Water Truck Solutions Today"